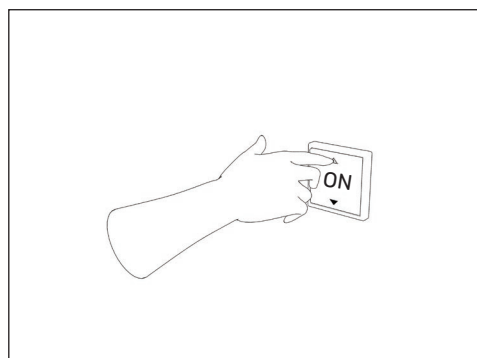
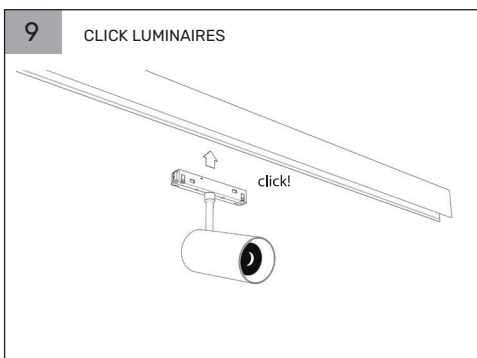
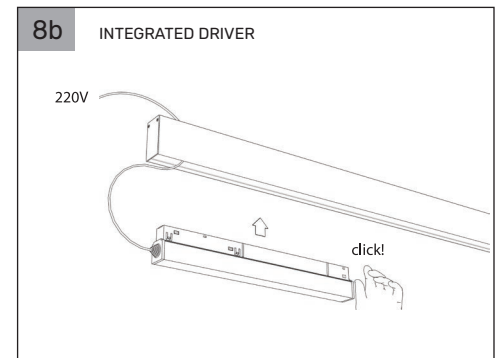
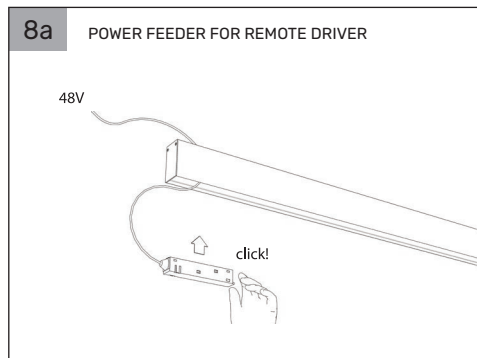
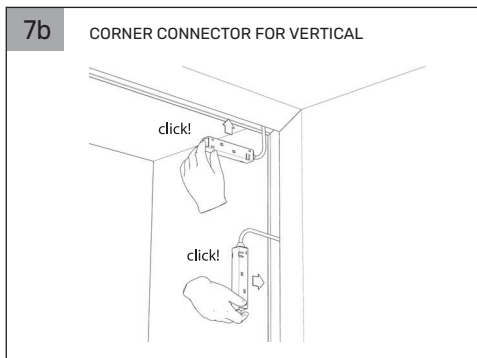
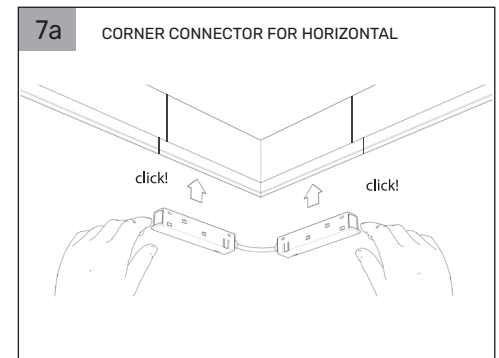
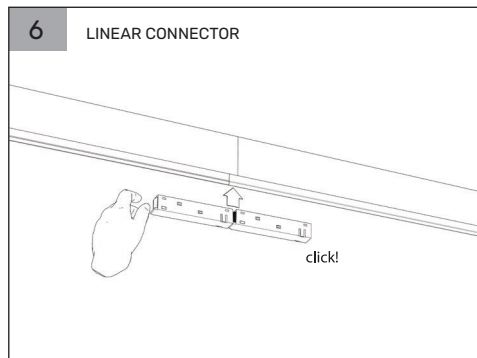
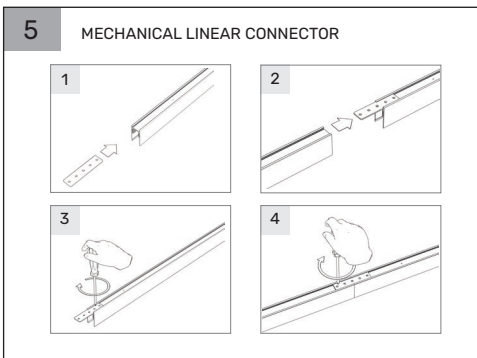
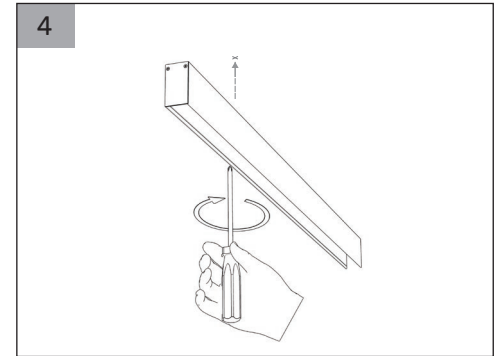
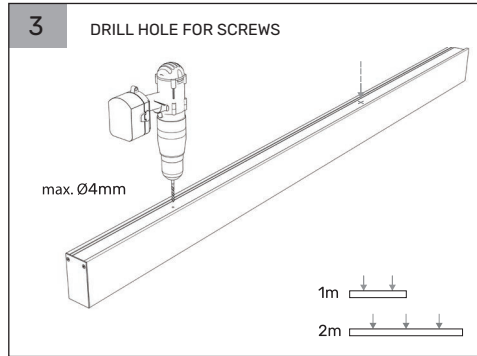
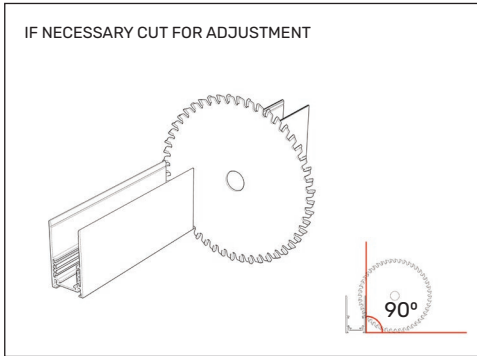
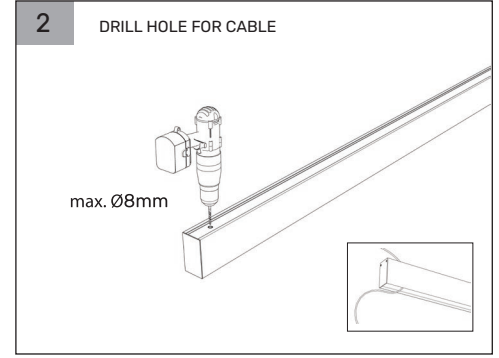
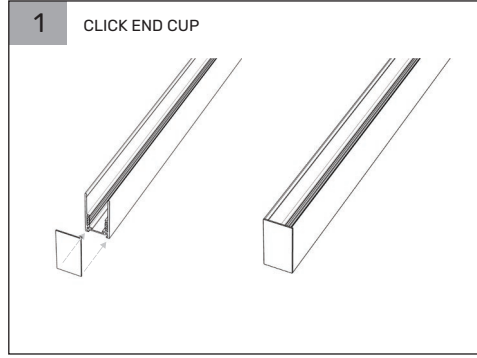
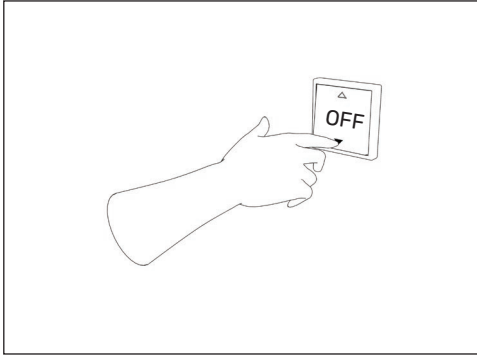


Z2000-48 SR

Surface system mounting instruction

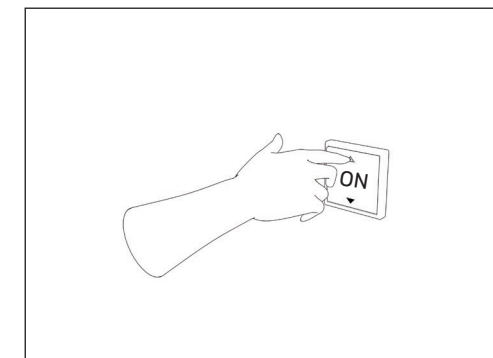
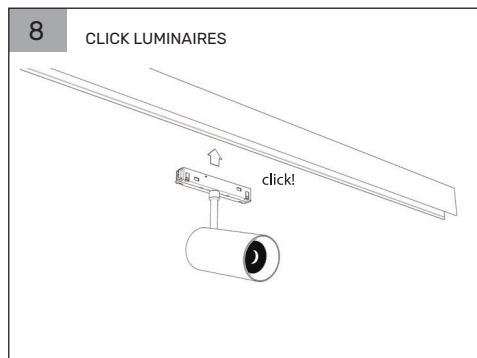
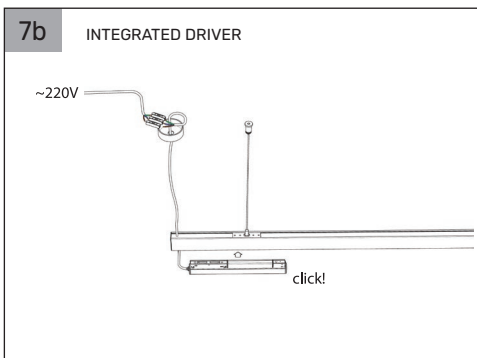
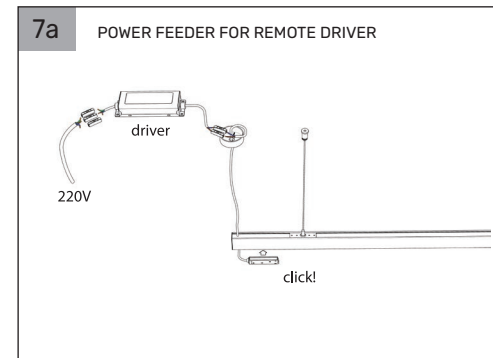
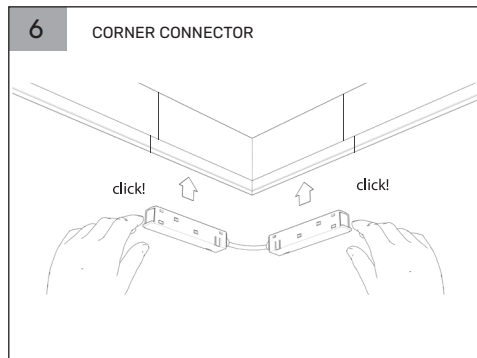
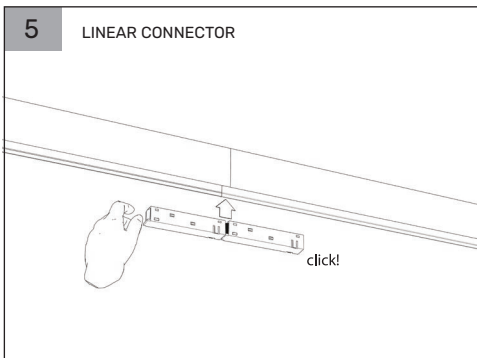
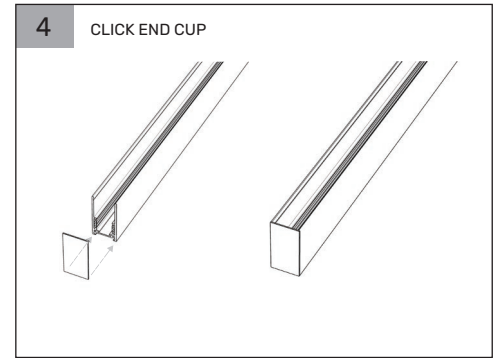
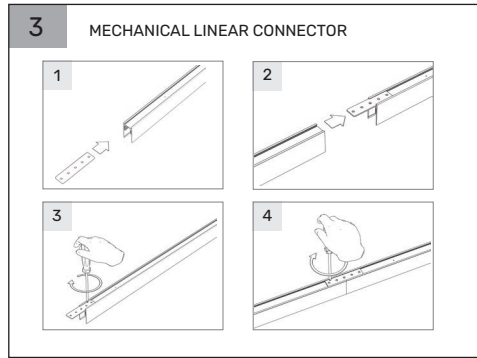
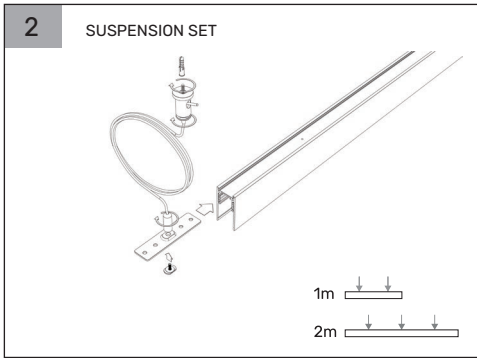
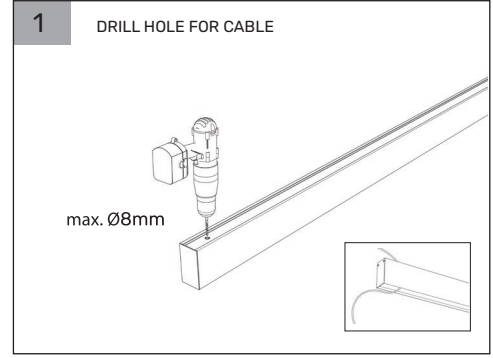
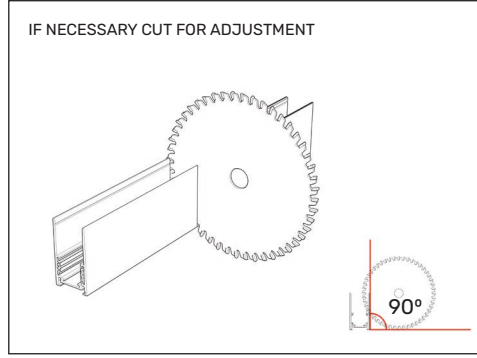
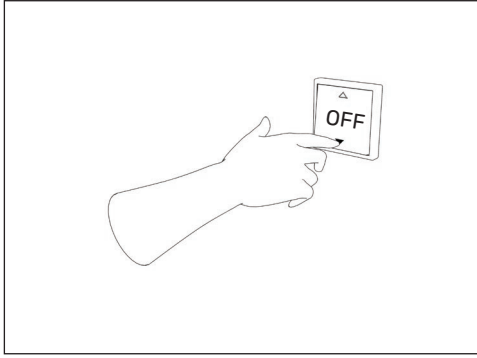
zonda lighting



Z2000-48 SR

Suspension system mounting instruction

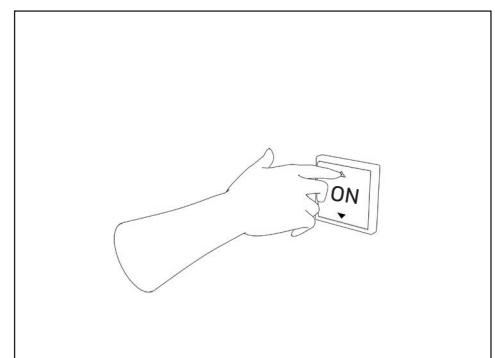
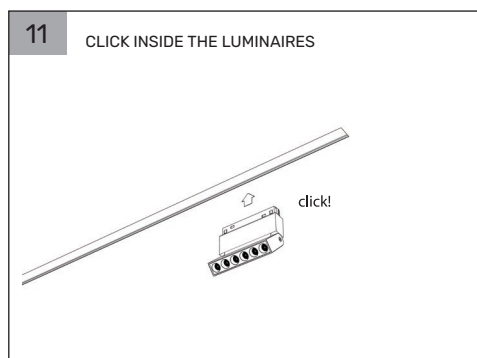
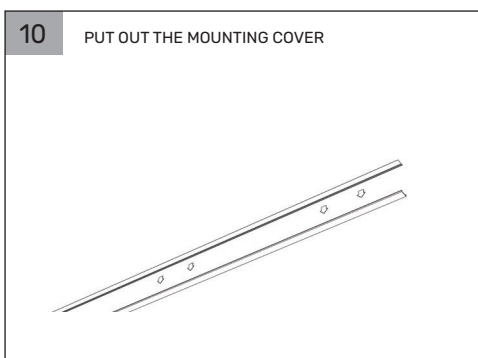
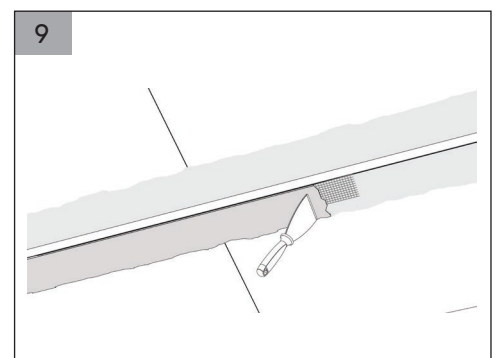
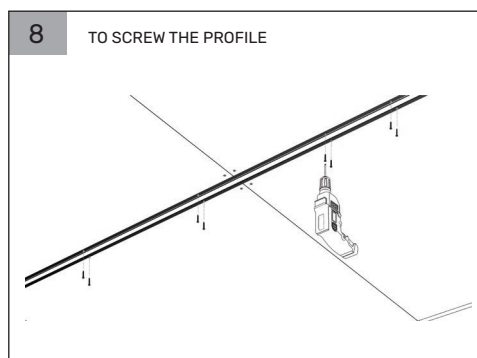
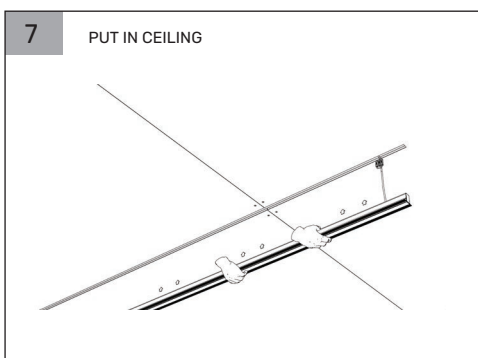
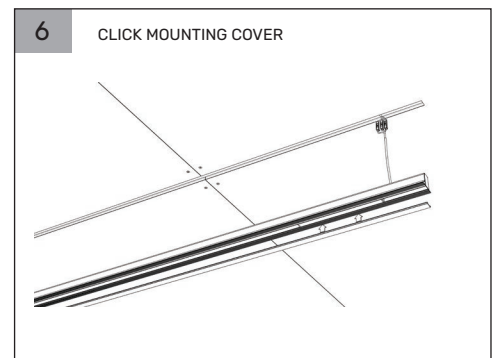
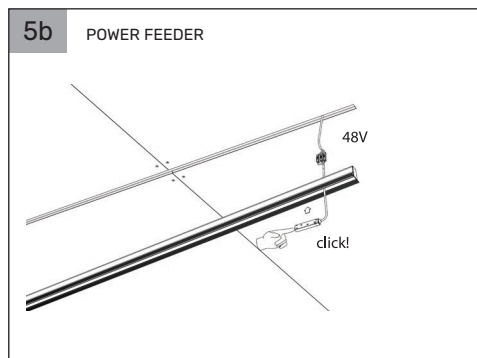
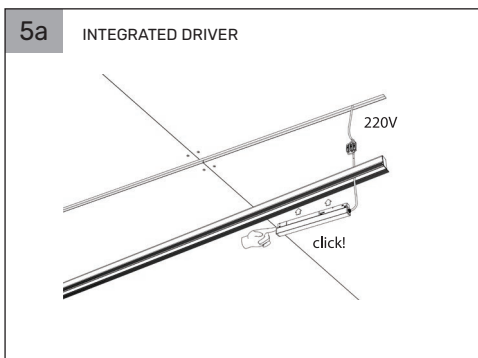
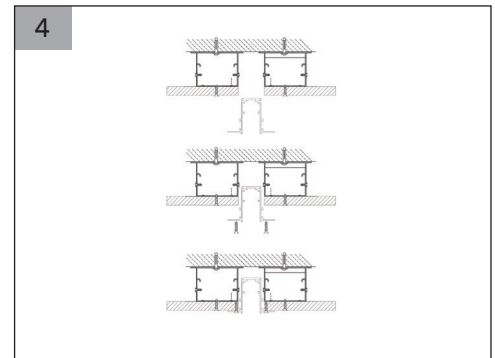
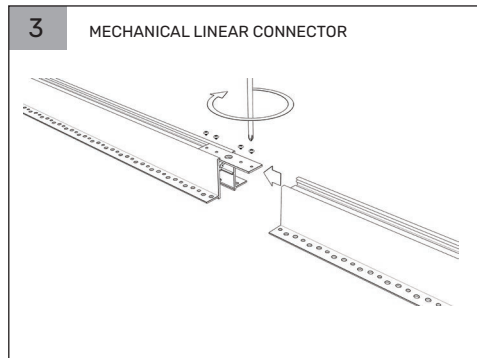
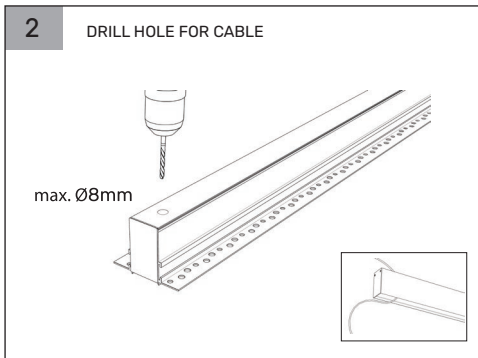
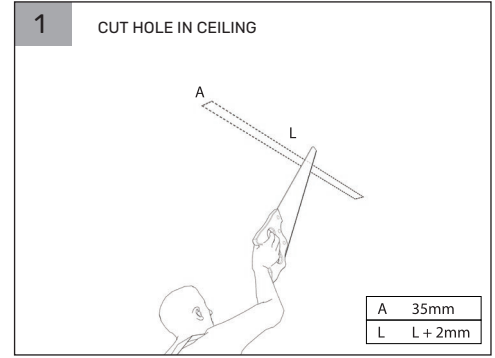
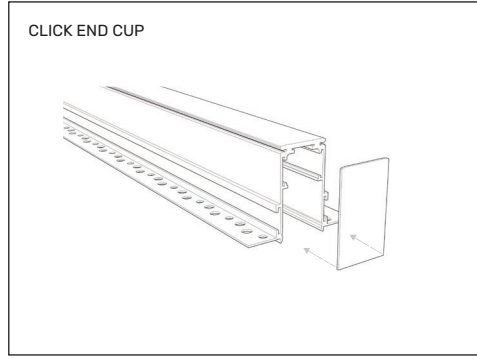
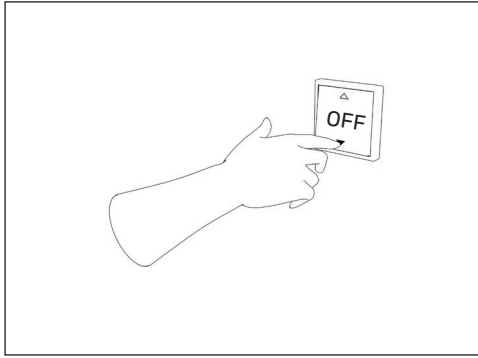
zonda lighting



Z2000-48 TR

Recessed system mounting instruction

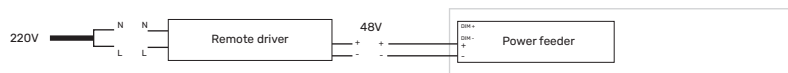
zonda lighting



INTEGRATED DRIVER SCHEME



REMOTE DRIVER SCHEME



DIMMABLE DALI SCHEME

