

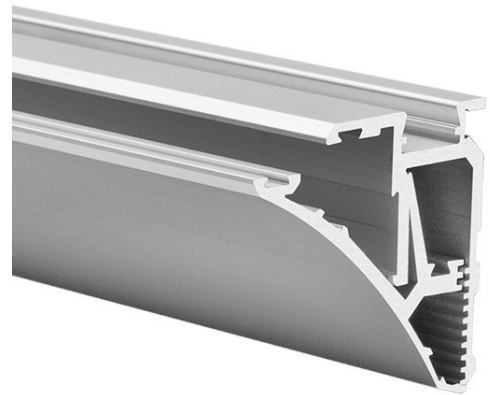
PRODUCT DESCRIPTION

PULA is an aesthetic constructional extrusion, which allows mounting and illuminating shelves made of glass, wood or plastic. It comes with two compartments for LED, one for illuminating transparent shelves and the second one for illuminating the surface of the wall, above the shelf. PULA extrusion can be used in architecture, interior decoration or during exhibitions. PULA consists of two profiles: TEPULA mounting track (attached to the wall) and bent into a curved shape MAPULA profile, set in the mounting track. Both profiles are connected with the ability to regulate the distance between their edges every 2 mm (0.08"), so they can be adjusted to shelves with thickness between 6 mm (0.23") and 20 mm (0.78"). Such fixture can support weight up to 11lb on length of 30 cm (11.8"). Maximum width of the shelf is 25 cm (9.84").

- Mounting can be adjusted to the thickness of the shelf
- Double independent lighting modes - edge and surface

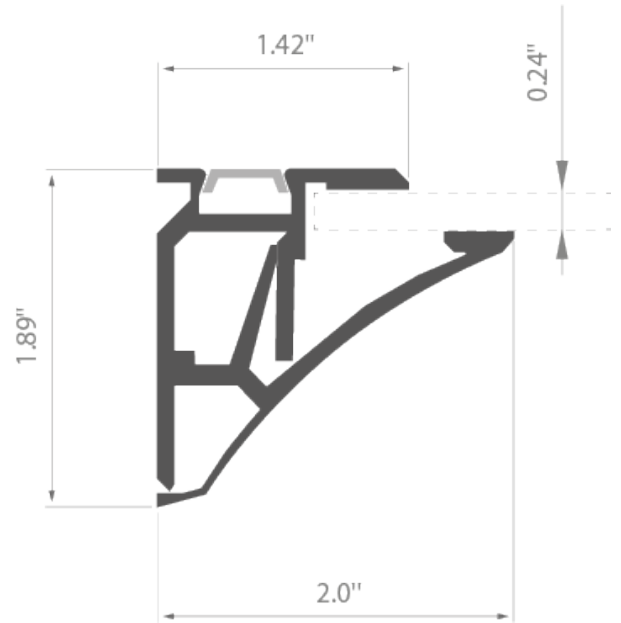
Fill empty fields

Product nr.	
Fixture type	
Company	
Job name	
Date	



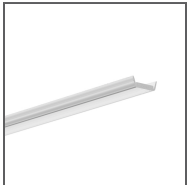
TECHNICAL SPECIFICATION

18035ANODA_1	Silver anodized	39.4"
18035ANODA_2	Silver anodized	78.75"



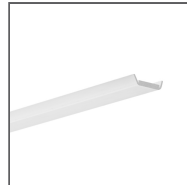
RELATED PRODUCTS

COVERS



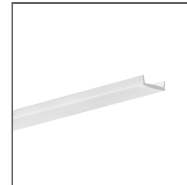
Ref: 1370

90°



Ref: 1369

90°



Ref: 17031

90°



END CAPS



Ref: 24193

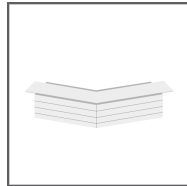


Ref: 24196

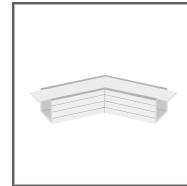
COUPLERS - connection methods for profiles



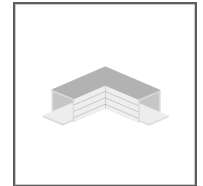
L135



L135PW



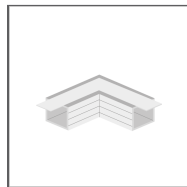
L135PZ



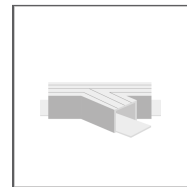
L90



L90PW



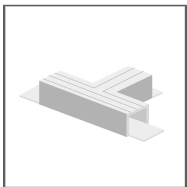
L90PZ



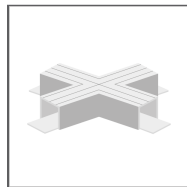
T135L



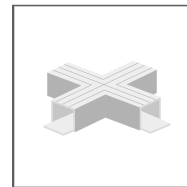
T135R



T90



X135



X90